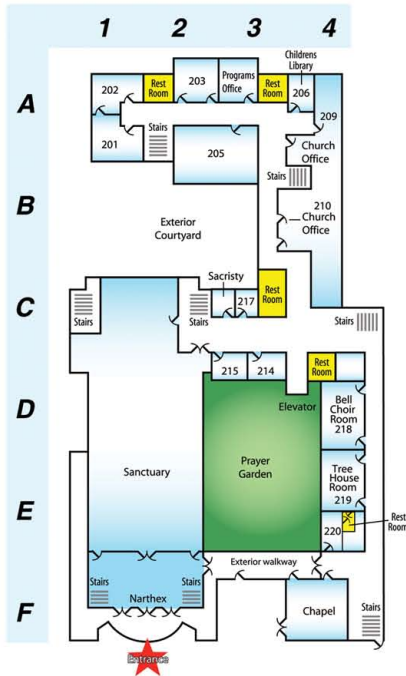
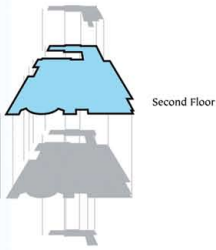


Floor Plans

Second Floor

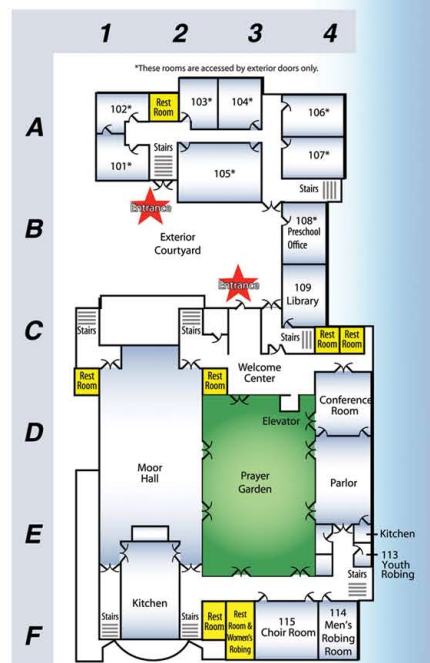
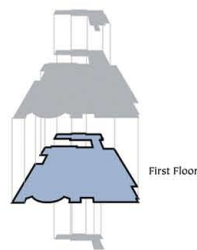
Bell Choir Room	D4
Chapel	F4
Children's Library	F1
Church Office	B4
Elevator	D3
Entrance	F1
Narthex	F1
Programs Office	A3
Room 201	A1
Room 202	A1
Room 203	A2
Room 205	B2
Room 220	E4
Sanctuary	E1
Tree House Room	E4



First Floor

Choir Room	F3
Conference Room	D4
Courtyard	E3
Kitchen	F2
Library	C4
Moor Hall	D2
Parlor	E4
Preschool Office*	B4
Room 101*	A1
Room 102*	A1
Room 103*	A2
Room 104*	A3
Room 105*	A3
Room 106*	A4
Room 107*	A4
Welcome Center	C3

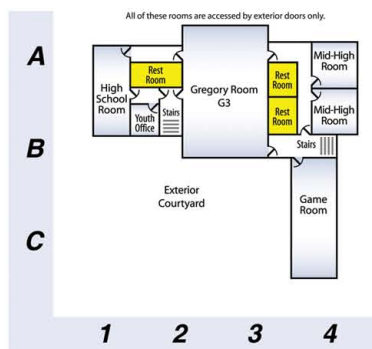
*These rooms are accessed by exterior doors only.



Ground Floor

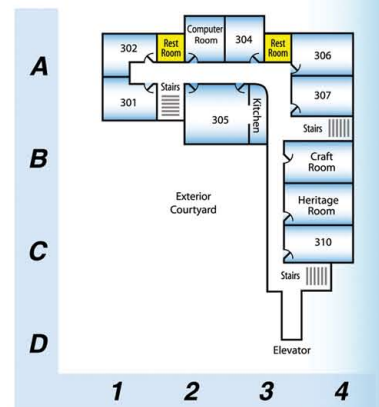
Game Room	C4
Gregory Room	A3
High School Room	A1
Mid-High Room	A4
Mid-High Room	A4
Youth Office	B2

These rooms are accessed by exterior doors only.



Third Floor

Computer Room	A2
Craft Room	B4
Heritage Room	B4
Room 301	A1
Room 302	A1
Room 304	A3
Room 305	B2
Room 306	A4
Room 307	A4
Room 310	C4



Welcome to Trinity United Methodist Church

Please use the map above to begin your tour through our buildings. As you walk around our campus, you will find friendly people and directional signs to help you find your way.

We pray your time spent in Trinity will be an informative, uplifting, and meaningful time for you.